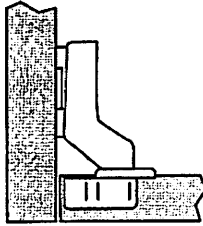
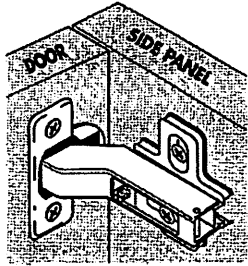


### Crank 15mm



### Opening 110°



#### Before You Begin

- Read the Do-It-Yourself Installation Instructions completely before starting.
- Make sure all parts are included.

#### Parts List

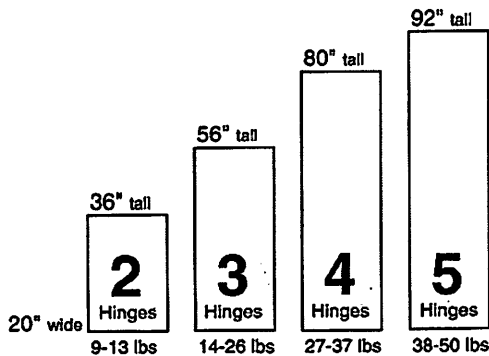
- Two Euro Hinges
- Two Mounting Plates
- Eight #8x5/8" Screws

#### Recommended Tools

- #2 Phillips Screwdriver
- Pencil or Scribe
- Metric Ruler (millimeters) and Inches Ruler
- Drill and 1/16" Drill bit for pilot holes
- Boring Bit 35mm (Forstner Bit) for hinge cup

#### Data

- See chart below for recommended number of hinges per door size.
- If hanging a door with a mirror or very wide door you will need additional hinges.

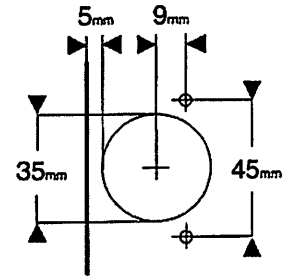


#### Specifications

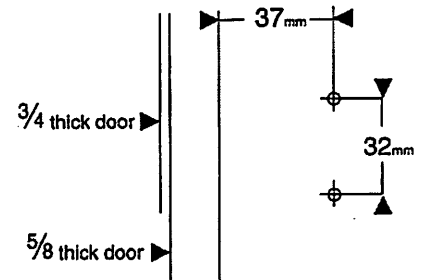
- Door thickness should be 5/8" (16mm) or 3/4" (19mm).
- 5/8" (16mm) thick door clearance should be a minimum of 1/32" (1mm) on all sides.
- 3/4" (19mm) thick door clearance should be a minimum of 1/16" (2mm) on all sides.

#### 1. Marking Drill Holes

Door

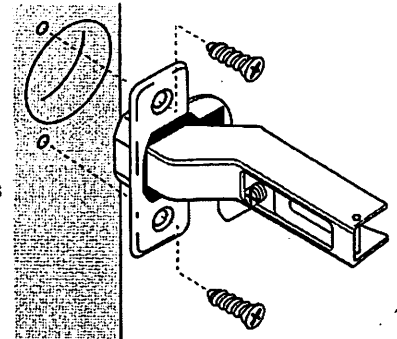


Cabinet



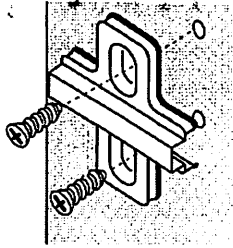
#### 2. Installing Hinge to Door

- Drill hole 12mm (15/32)" deep for hinge cup per template using 35mm boring bit. Do not drill through door face.
- Drill pilot holes for screws per template. Do not drill through door face.
- Insert hinge into door and fasten with supplied screws.



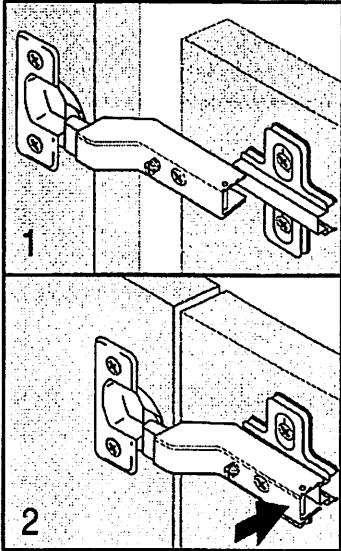
**3. Installing Mounting Plate to Cabinet**

- a. Drill pilot holes for screws.  
Do not drill through cabinet.
- b. Align mounting plate to holes and fasten with supplied screws.  
Do not overtighten.



**4. Installing Door to Cabinet**

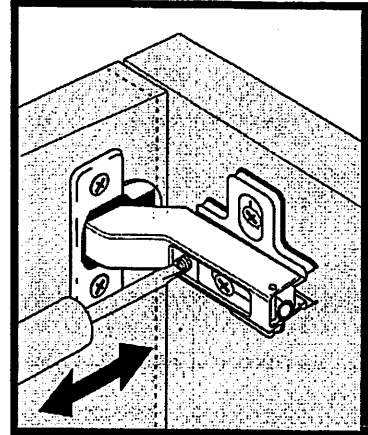
- a. Open hinge to full extension.
- b. Connect door to cabinet as shown below.



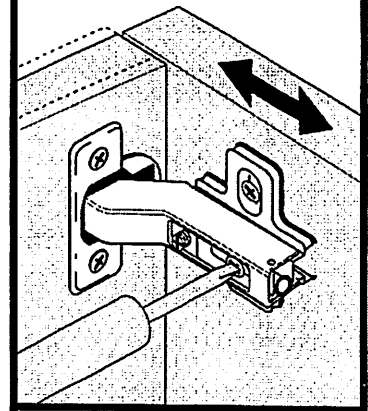
**5. Door Adjustment**

Align door using following adjustment feature.

- a. Lateral Adjustment allows for adjusting the door plus or minus 2.5mm side to side.



- b. Horizontal Adjustment allows for adjusting the door in and out.



- c. Soft close adjustment.

