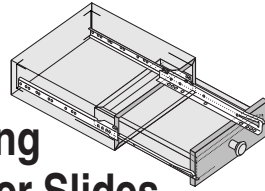


D688 D663

Series

European Self-Closing Bottom-Mount Drawer Slides



Before You Begin

- Read the Do-It-Yourself Installation Instructions completely before starting.
- Make sure all parts are included.

Parts List per drawer set

- Cabinet Members - (1) Left and (1) Right
- (12) #5 wood screws S21F5
- Drawer Members - (1) Left and (1) Right

Recommended Tools

- #2 Phillips Screwdriver
- Ruler - inches and metric
- Pencil or Scribe
- Level

Required Parts per drawer set

- Screws
- #5 wood screws S21F5 (12 minimum)
- S21F5DC-UC-12 (12 screws) or S21F5DA-UC-3 (120 screws for 10 sets) or Euroscrews (8 minimum)
- Drawer Socket part number D688SE (for face frame cabinets) – Sold Separately

Data

- 100 lb. Capacity per set
- Lengths of 12"(300mm), 14"(350mm), 16"(400mm), 18"(450mm), 20"(500mm), 22"(550mm), 24"(600mm).
- Right side captive member (Holds drawer in place).
- Elongated screw holes for alignment.

Specifications

- Both sides of drawer must have a clearance of 1/2" (12.5 mm).
- Bottom of drawer must have a clearance of 1/4" (6.4 mm).
- Top of drawer must have a minimum clearance of 5/8" (15.9 mm).
- Measure up from bottom of the opening and place a mark at 1-5/8" (41.3 mm) (for face frame installation only).
- Cabinet members are inset 2 mm (5/64") from the edge of the cabinet.
- If installing on face frame cabinets, the frame should be a minimum thickness of 3/4" (19 mm) for wood screws.
- Look at cabinet member for screw positioning. The holes that are slightly smaller are for wood screws. The larger holes are for Euro screws.

1. Installing Cabinet Members to Cabinet

Cabinet members and drawer sockets are marked with an L (left) and R (right).

Frameless Mounting

Determine position of the bottom of the drawer front in relation to the front of the cabinet and draw a ref. line on both L & R inside face of cabinet. (Fig. 1 Frameless). Next, go to step #2 and install slides to drawer members.

After drawer members are mounted, fit loose cabinet members into drawer members. Measure from bottom of drawer front to center of mounting hole on cabinet member. Transfer that measurement and draw a second line onto the L & R side of cabinet using the ref. line made in step #1. Align center of mounting hole of cabinet member with the second line made and fasten with one screw. Next, use a level to properly align and fasten remaining screw.

Face Frame Mounting

Place drawer socket on back of cabinet member as shown. Align cabinet member top to the edge of the 1-5/8" (41.3mm) line and fasten with one screw in the elongated screw hole. Next fasten the drawer socket with one screw and use a level to align cabinet members properly. Fasten the remaining screws into drawer sockets.

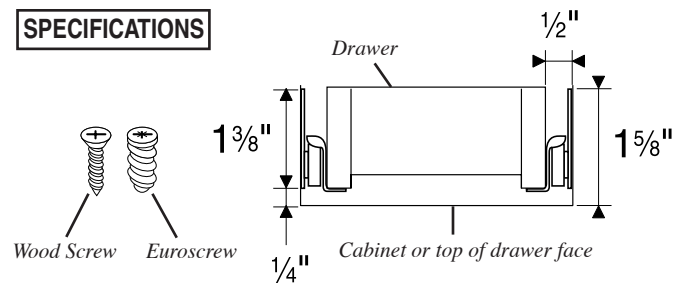
2. Installing Drawer Members to Drawer

Place drawer members onto bottom of drawer with rollers located in the rear. You can mount drawer members to drawer either from the side or bottom. Fasten with screws.

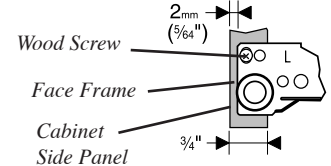
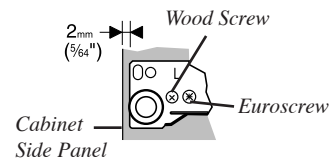
3. Final Steps

Insert drawer into cabinet by placing drawer member rollers over cabinet member rollers. To remove drawer, pull to where it stops, then lift and pull out.

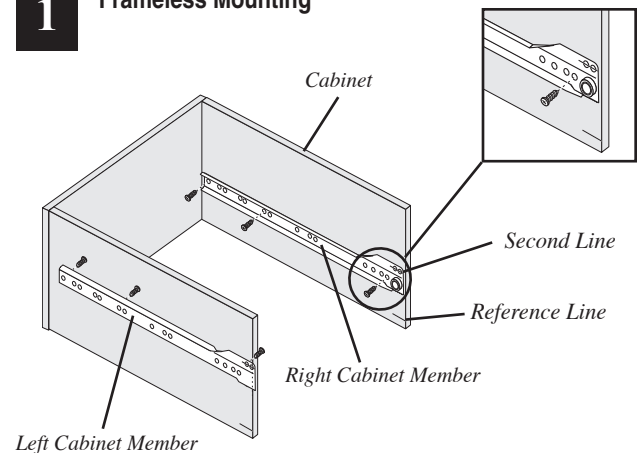
SPECIFICATIONS



Wood Screw Euro screw



1 Frameless Mounting



1 Face Frame Mounting

