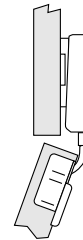
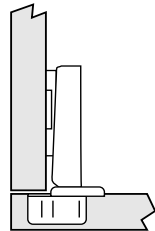
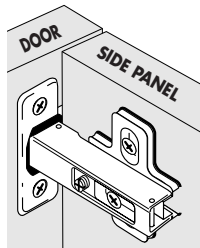


Full Overlay

Part Number	Description	Crank	Opening	Seq. #
HC11SF	Freeswing (with Spring)	0mm	110°	1110, 1111

**Before You Begin**

- Read the Do-It-Yourself Installation Instructions completely before starting.
- Make sure all parts are included.

Parts List

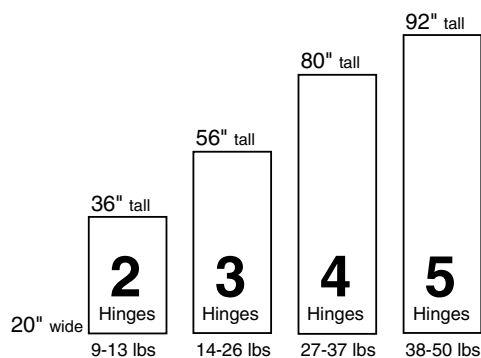
- Two Euro Concealo® Hinges
- Two Mounting Plates
- Eight #8x5/8" Screws

Recommended Tools

- #2 Phillips Screwdriver
- Pencil or Scribe
- Metric Ruler
- Drill and 1/16" Drill bit for pilot holes
- Boring Bit 35mm (Forstner Bit) for hinge cup

Data

- See chart below for recommended number of hinges per door size.
- If hanging a door with a mirror or very wide door you will need additional hinges.



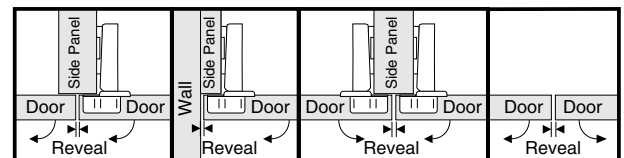
Verify product measurements prior to drilling. Printer configurations may not be set to print Mounting Template to actual size.

Vérifiez les mesures du produit avant de percer. Il se peut que les configurations de l'imprimante fassent que le gabarit de montage ne soit pas imprimé à la taille réelle.

Antes de perforar verifique las medidas del producto. Las configuraciones de la impresora pueda que no estén ajustadas para imprimir la Plantilla de Montaje al tamaño real.

Specifications

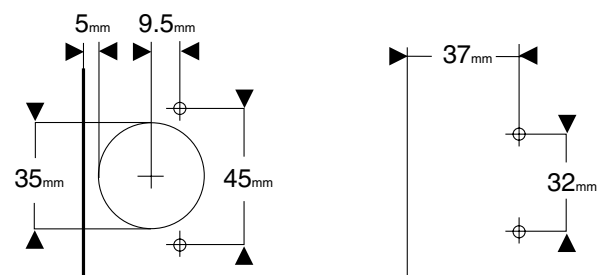
- Door clearance should be 1/32" (1mm) on all sides.
- Door thickness should be 5/8" (16mm) or 3/4" (19mm).
- Placing several cabinets together requires that an amount of the frame or opening (reveal) must show between the doors for the doors to properly open and close.



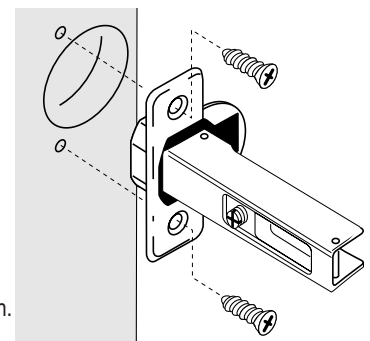
Door	Minimum Reveal
5/8" (16mm) thick	1/32" (1mm)
3/4" (19mm) thick	1/16" (2mm)

1. Marking Drill Holes

- Cut out hinge cup template for drilling hinge cup and screw pilot holes.
- Align hinge cup template to door and mark location of holes.
- Cut out mounting plate template for drilling screw pilot holes.
- Align mounting plate template to the edge of cabinet and mark location of holes.

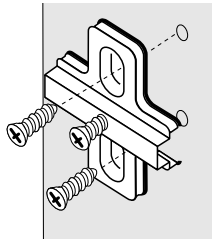
**2. Installing Hinge to Door**

- Drill hole 12mm (15/32") deep for hinge cup per template using 35mm boring bit. Do not drill through door face.
- Drill pilot holes for screws per template. Do not drill through door face.
- Insert hinge into door and fasten with supplied screws. Do not overtighten.



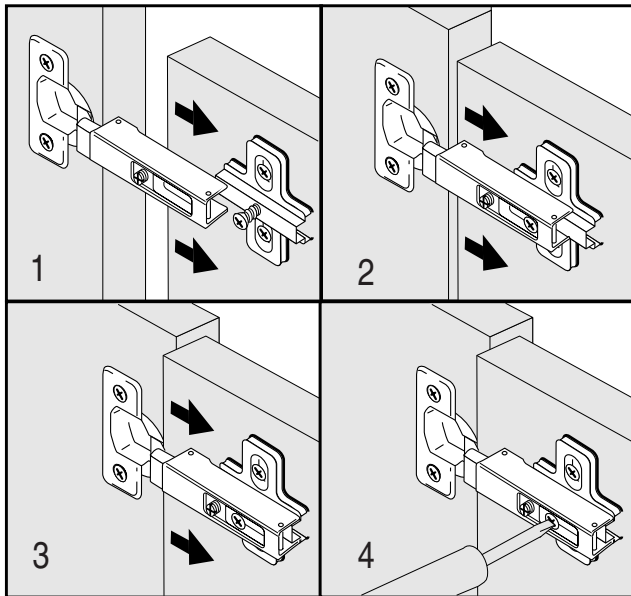
3. Installing Mounting Plate to Cabinet

- a. Drill pilot holes for screws per template. Do not drill through cabinet.
- b. Align mounting plate to holes and fasten with supplied screws. Do not overtighten.



4. Installing Door to Cabinet

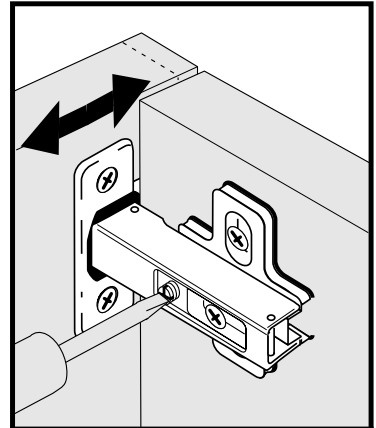
- a. Open hinge to full extension.
- b. Connect door to cabinet as shown below.



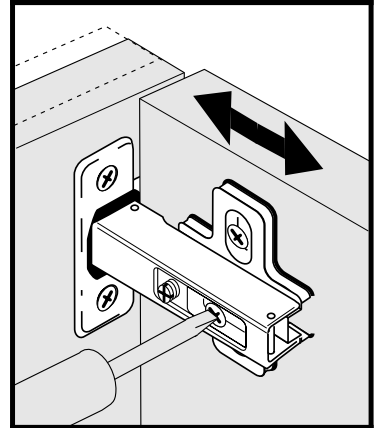
5. Door Adjustment

Align door using following adjustment feature.

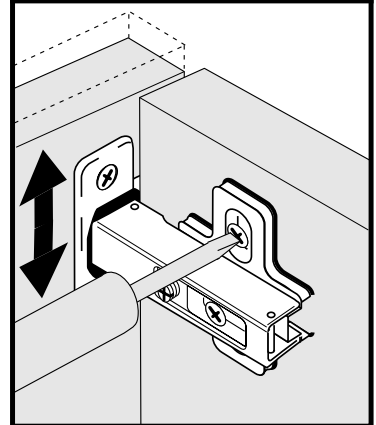
- a. Lateral Adjustment allows for adjusting the door plus or minus 2.5mm side to side.



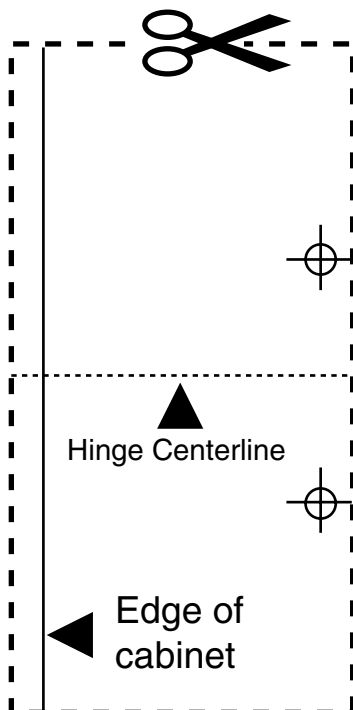
- b. Horizontal Adjustment allows for adjusting the door in and out.



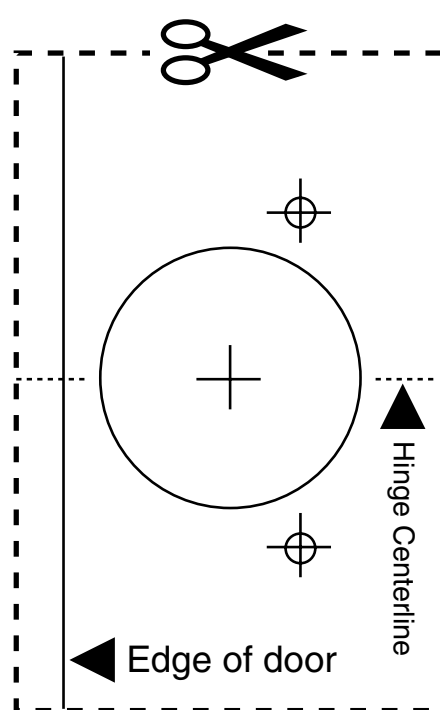
- c. Vertical Adjustment allows for adjusting the door up and down.



Mounting Plate Template



Hinge Cup Template



Verify product measurements prior to drilling. Printer configurations may not be set to print Mounting Template to actual size.

Vérifiez les mesures du produit avant de percer. Il se peut que les configurations de l'imprimante fassent que le gabarit de montage ne soit pas imprimé à la taille réelle.

Antes de perforar verifique las medidas del producto. Las configuraciones de la impresora pueda que no estén ajustadas para imprimir la Plantilla de Montaje al tamaño real.