

Mounting Instructions - 20" Metal Drawer System #122252

Metal Drawer System

Before You Begin

- Read the Do-It-Yourself Installation Instructions completely before starting.
- Make sure all parts are included.

Parts List

- Cabinet Members – (1) Left and (1) Right
- Drawer Members – (1) Left and (1) Right
- 6 - #6x1/2" Phillips flat head tapping screws (for mounting cabinet member only)

Recommended Tools

- #2 Phillips Screwdriver
- Pencil
- Ruler
- Level

Data

- 55 lb. load capacity
- Length 20"

Drawer Bottom

Width = internal cabinet width 1.22" (31mm)
 Length = drawer length 19 1/2" (495mm) minus back panel thickness

Drawer Back

Drawer back should be the same width as the bottom panel and the height no less than drawer sides, including bottom panel thickness.

Drawer Front

Make your drawer front as your cabinet requires.

Metal Drawer Assemble

Cut drawer bottom, back and drawer front for desired finished drawer measurements. Assemble drawer bottom first followed by back panel and then front panel (Fig A).

Installing Cabinet Members to Cabinets

Determine position on the bottom of the drawer front in relation to the front of the cabinet and draw a ref. line on both the L&R inside of cabinet. Attach cabinet member on each line.

Final Steps

Insert drawer into cabinet by placing drawer member rollers over cabinet member rollers. To remove drawer, pull to where it stops, then lift and pull out.

Assembling Diagram

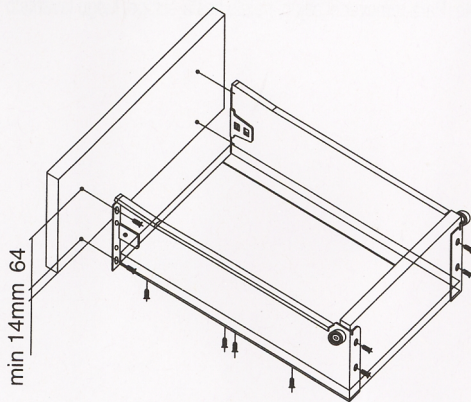
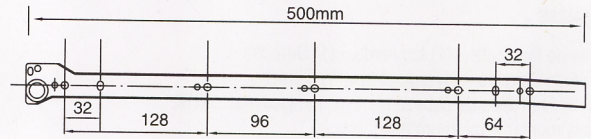
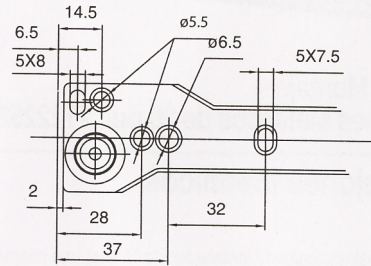
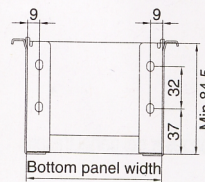


Fig A

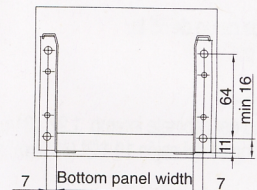
Drilling pattern for cabinet member



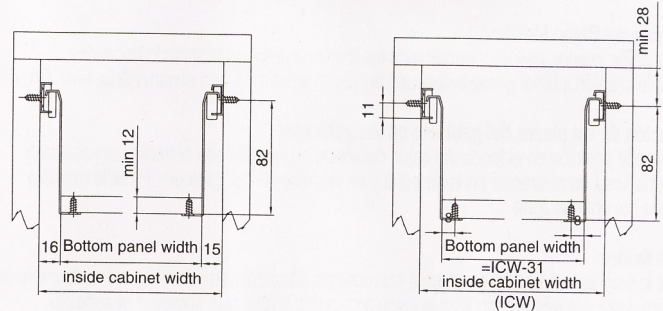
Back panel



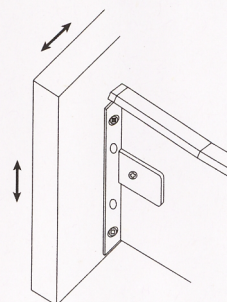
Front panel



Installation measurement



Front Adjustment Diagram



Assembly

